



BradyJet J2000
Color Label Printer
User Manual

Copyright and Trademarks

Disclaimer

This manual is proprietary to **Brady** Worldwide, Inc. (hereafter "**Brady**"), and may be revised from time to time without notice. **Brady** disclaims any understanding to provide you with such revisions, if any.

This manual is copyrighted with all rights reserved. No portion of this manual may be copied or reproduced by any means without the prior written consent of **Brady**.

While every precaution has been taken in the preparation of this document, **Brady** assumes no liability to any party for any loss or damage caused by errors or omissions or by statements resulting from negligence, accident, or any other cause. **Brady** further assumes no liability arising out of the application or use of any product or system described, herein; nor any liability for incidental or consequential damages arising from the use of this document. **Brady** disclaims all warranties of merchantability of fitness for a particular purpose.

Brady reserves the right to make changes without further notice to any product or system described herein to improve reliability, function, or design.

Trademarks

All brand or product names referenced in this manual are trademarks (™) or registered trademarks (®) of their respective companies or organizations.

Brady Warranty

Our products are sold with the understanding that the buyer will test them in actual use and determine for him or herself their adaptability to his/her intended uses. Brady warrants to the buyer that its products are free from defects in material and workmanship, but limits its obligation under this warranty to replacement of the product shown to Brady's satisfaction to have been defective at the time Brady sold it. This warranty does not extend to any persons obtaining the product from the buyer.

THIS WARRANTY IS IN LIEU OF ANY OTHER WARRANTY, EXPRESS OR IMPLIED, INCLUDING, BUT NOT LIMITED TO, ANY IMPLIED WARRANTY OF MERCHANTABILITY OR FITNESS FOR A PARTICULAR PURPOSE, AND OF ANY OTHER OBLIGATIONS OR LIABILITY ON BRADY'S PART. UNDER NO CIRCUMSTANCES WILL BRADY BE LIABLE FOR ANY LOSS, DAMAGE, EXPENSE OR CONSEQUENTIAL DAMAGES OF ANY KIND ARISING IN CONNECTION WITH THE USE, OR INABILITY TO USE, BRADY'S PRODUCTS.

© 2018 **Brady Corporation**. All Rights Reserved.

Safety and Environment

Please read and understand this manual before using the BradyJet J2000 Color Label Printer for the first time. This manual describes all of the main functions of the printer.

Precautions

Before using the BradyJet J2000 Color Label Printer printer, please note the following precautions:

- Read all instructions carefully before operating the printer and prior to performing any procedure.
- Do not place the unit on an unstable surface or stand.
- Do not place anything on top of the unit.
- Keep the top clear of obstructions.
- Always use the printer in a well ventilated area. Do not block the slots and opening on the unit, which are provided for ventilation.
- Only use the power source indicated on the rating label.
- Use only the power cord that comes with the unit.
- Do not place anything on the power cord.

Technical Support and Registration

Contact Information

For repair or technical assistance, locate your regional Brady Technical Support office by going to:

- **United States:** www.bradyid.com
- **Europe:** www.bradyeurope.com
- **Asia Pacific:** www.brady.co.uk/landing-pages/global-landing-page
- **Australia:** www.bradyid.com.au
- **Canada:** www.bradycanada.ca
- **Latin America:** www.bradylatinamerica.com

Registration Information

To register your printer, go to:

- www.bradycorp.com/register
- **Australia:** www.bradyid.com.au/register
- **China:** www.brady.com.cn/membercenter/register_product.aspx

Repair and Return

If for any reason you need to return the BradyJet J2000 Color Label Printer printer for repair, please contact Brady Technical Support for repair and replacement information.

Document Conventions

When using this document, it is important that you understand the conventions used throughout the manual.

- All user actions are indicated by **Bold** text.
- References to menus, dialog boxes, button and screens are indicated by *Italics* text.

Contents

1 • Introduction

Features and Functions	1
Compatible Applications.....	2
System Specifications.....	2

2 • Setup

Unpacking and Setting up Printer	3
What's in the Box	3
Printer Components	4
Power	5
Install or Change Supplies	5
Adjusting the Supply Gap Sensor	8
Through-Hole Labels	9
Ink Cartridge	9
Aligning the Ink Cartridge	12

3 • Using System Tools

Status Monitor	13
Monitoring Ink Levels	14
Output or Cut Mode	14
<i>Cutter Options</i>	14
Adjusting Label Offsets	16
Settings	18
Installing Firmware Upgrades	19

4 • Printing Labels

Brady Workstation	20
Printer Driver Settings	20
Page Size	21
<i>Creating a Full Bleed Print</i>	21
Orientation	22
Print Resolution	23
Color Matching	23
Ink Saturation	23
Enable Bidi (Bidirectional) Printing	23
Launch Status Monitor	23
Details/Print Counter	23
Printing from Other Programs	24

5 • Maintenance

Cleaning the Printer..... **25**
 Cleaning the Ink Cartridge25
 Clearing a Label Jam26

6 • Troubleshooting

7 • Label Specifications

Label Sensing Methods28
 Roll Specifications30

A • Regulatory Compliance

Agency Compliance and Approvals **31**
 United States31
 FCC Notice31
 Estados Unidos31
 Aviso de la FCC31
 Canada32
 Mexico32
 Europe32
 RoHS Directive 2011/65/EU, 2015/863/EU32
 Turkey32
Wireless Regulatory Information **33**
 United States33
Información reglamentaria sobre conexiones inalámbricas **34**
 Canada35
 Mexico35
 European Union35
 International35

1 Introduction

Thank you for purchasing the BradyJet J2000 Color Label Printer, which you can use to create and print professional-looking, razor-sharp text and barcodes in vibrant colors directly onto rolls of labels. All you have to do is:

- Install the ink cartridge
- Drop in label supply
- Send labels for printing from your labeling software

Label and ink cartridges from Brady Corporation are programmed with the ability to communicate with the printer and software. This allows you to gain the full benefit of the system.

Features and Functions

The following are just some of the features that make this system so easy to use and ready to meet your label-making requirements:

- Small, lightweight unit, ready for your desktop.
- 16.7 million colors
- Print resolution: 4800 x 1200 dpi, 1200 x 1200 dpi, 600 x 600 dpi
- Easy loading supplies
- Movable see-through sensor for die-cut labels
- Print labels in many colors, styles, and materials from PC

Compatible Applications

The BradyJet J2000 Color Label Printer is compatible with Brady® Workstation desktop software.

When used with Brady Workstation software, the printer will automatically recognize all enabled and compatible materials up to 4.25 in. (108 mm) wide. For operation of the printer with other software, refer to the documentation for your application.

Note: Only BradyJet J2000 Color Label Printer supplies will work with this printer.

System Specifications

- Weight: 7 lbs (3.2 kg)
- Dimensions (stored): 10.4 in. x 15.3 in. x 7.1 (26.4 cm x 38.9 cm x 18.0 cm)
- Operating Temperature: 41 - 95°F (5-35°C)
- Operating Humidity: 10% to 60% (no condensation)
- Storage: -4 to 140°F (-20 to 60°C) (Except cartridge)
- Voltage: 100-240VAC, 50/60 Hz, 60 watts
- Print Resolution: 4800 x 1200 dpi, 1200 x 1200 dpi, 600 x 600 dpi
- Maximum label length (continuous): 24 in. (609.6 mm)
- Data Interface: USB 1.1
- Minimum System Requirements: Pentium® IV computer or better, 512MB RAM
5GB free hard drive space, USB 1.1/2.0 port

2 Setup

Unpacking and Setting up Printer

Carefully unpack and inspect the printer surfaces (interior and exterior) and the labeling system for possible damage during shipping.

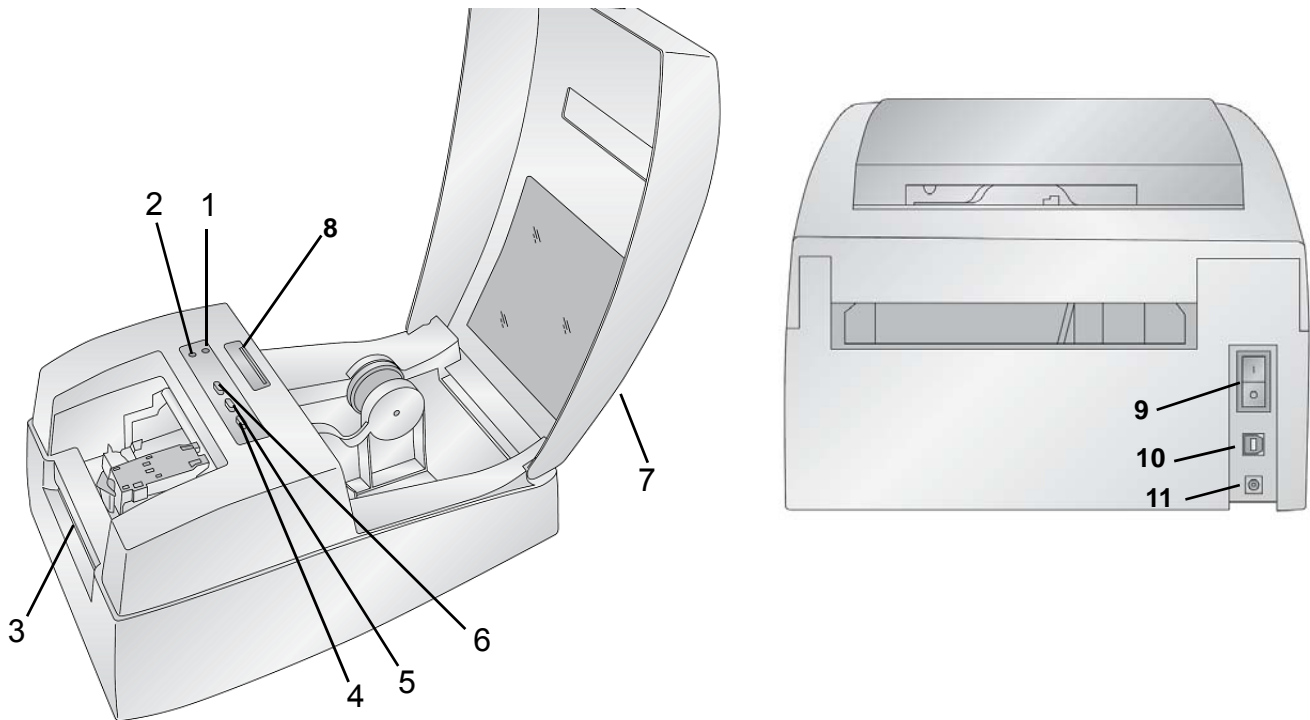
Note: Be sure to remove any transportation protection from around the print head and inside the top cover.

What's in the Box

- BradyJet J2000 Color Label Printer
- Power Adapter
- Power Cord
- 6' USB Cable (If other USB cable is used, it must be 6' (2 M) or less.)
- Color Ink Cartridge
- Material Roll for Printhead Alignment
- Printed "Quick Start Guide"
- Brady Workstation Printout
- USB Flash Drive containing the User Manual and Printer Driver

Note: Please keep the original packaging, including the box, in case the printer must be returned.

Printer Components



- | | |
|----------------------------|--------------------------------------|
| 1 Power LED | 2 Ink Low LED |
| 3 Label Tear Bar | 4 Unload Button |
| 5 Load/Feed Button | 6 Ink Button |
| 7 Enclosure Cover | 8 Label Supply TOF Sensor Bar |
| 9 Power Switch | 10 USB Port |
| 11 Power Input Port | |

Note: The printer is equipped with a universal power supply and can be operated with a voltage of 100 to 240 V~, 50- to 60 Hz.

- **Ink Low LED** will illuminate when a cartridge has 10% or less ink remaining.
- **Power LED** indicates that the printer is on and ready to receive print jobs.
- **Ink Button** moves the carriage to the center to allow for loading of the ink cartridge. Once the cartridge is loaded, press the ink button again.
- **Load/Feed Button** used to load label supply or form feed the label supply through the printer.
- **Unload Button** will unload the installed label supply by reversing it through the printer.
- **Label Tear Bar** is a serrated edge for removing finished labels from the printer.

IMPORTANT! Tear off the printed labels before pressing the unload button.

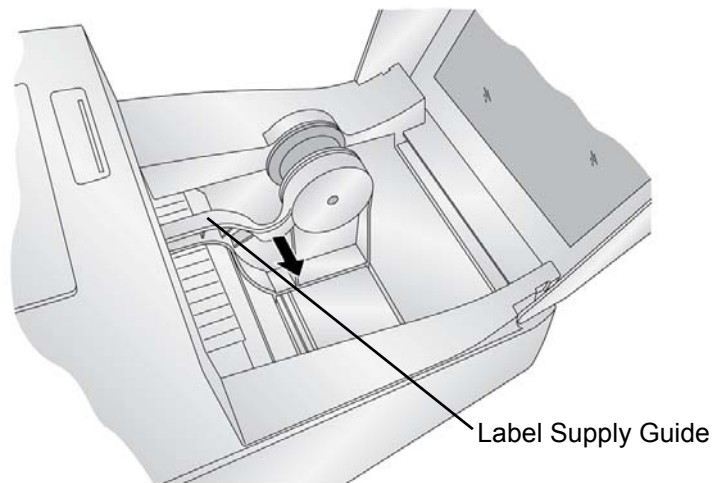
Power

1. Plug the power cord into the power input port on the back of the printer.
2. Plug the other end of the power cord into an AC power outlet.
3. Turn the power switch on.

Install or Change Supplies

The BradyJet J2000 Color Label Printer utilizes a variety of Brady label supply. As long as the label supply can receive ink jet printing and is within the allotted size, it will work in the printer.

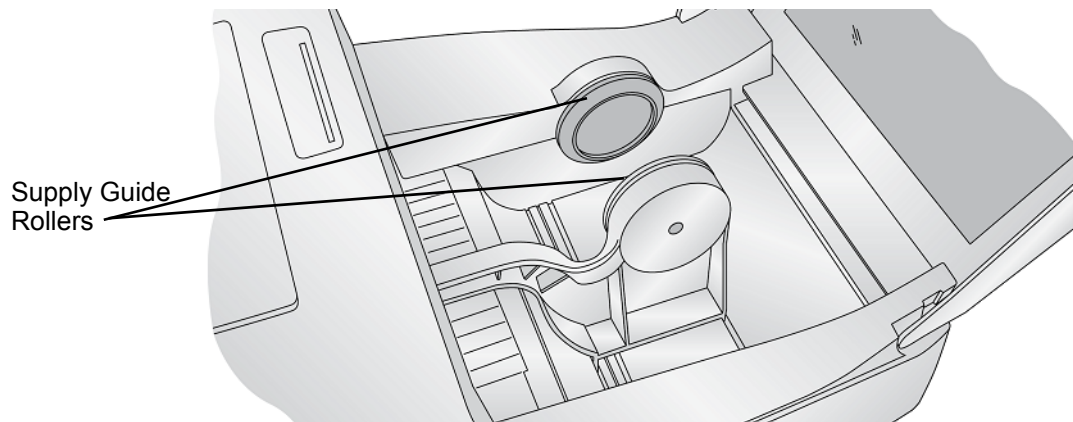
1. Open the top cover.
2. Pull the spring loaded label supply guide out far enough to fit the label supply.



3. Remove any shipping tape from the label supply roll to ensure that it can unroll freely, making certain that no adhesive portion is exposed.

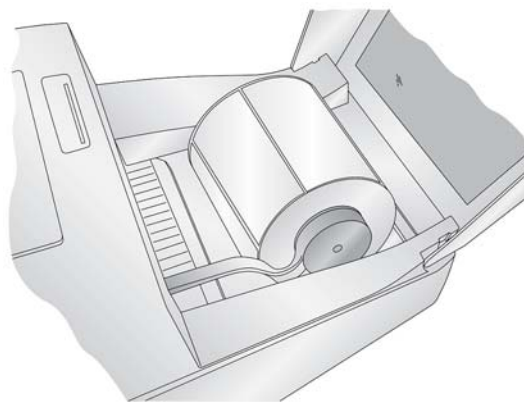
IMPORTANT! Exposed adhesive surface can attach itself to the inner workings of the print mechanism and cause a jam.

Note: If using label supply other than standard square / rectangular die cut labels, see [Adjusting the Supply Gap Sensor](#) on page 8.

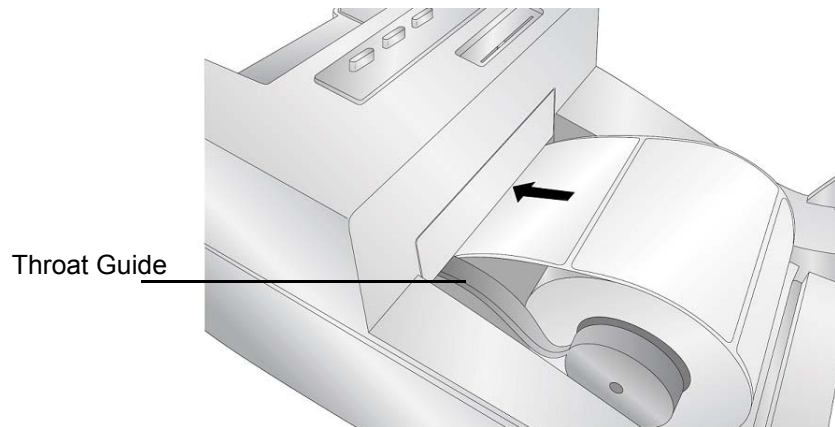


Supply Guide Rollers

4. Place the label roll between the supply guide rollers, with the cap on the label roll on the left side as you are facing the printer, and release the spring loaded supply guide to hold the label supply.
The supply guide rollers allow the label roll to move freely.



5. Place the leading edge of the label between the throat guide and the side of the printer.



Throat Guide

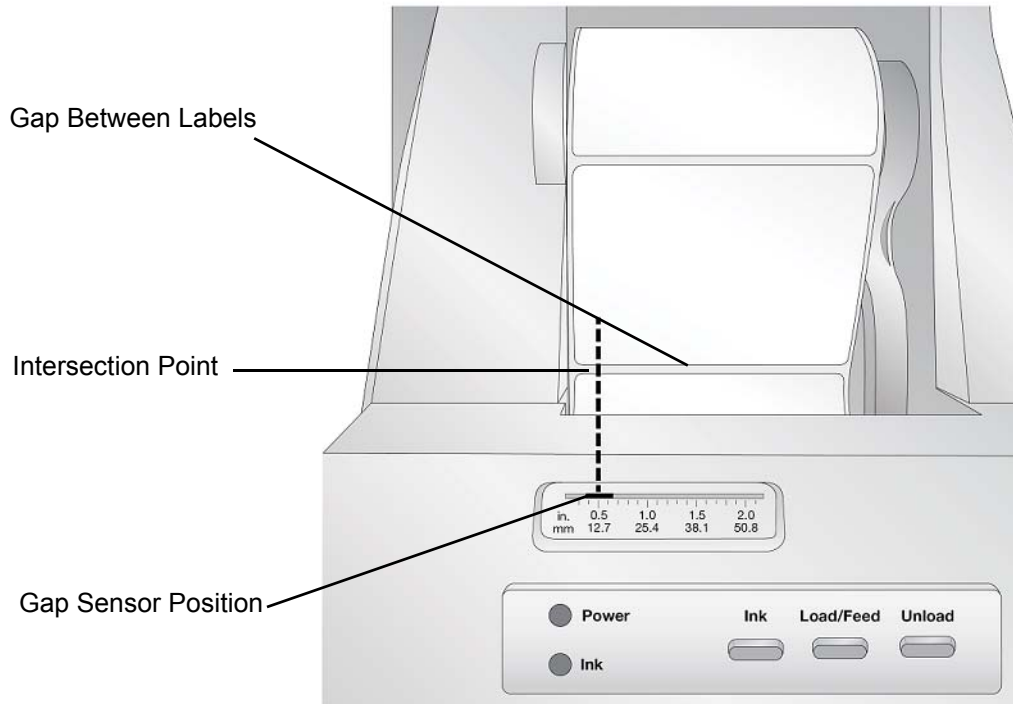
6. Quickly continue feeding the labels further into the printer until you feel resistance from the feed rollers.

The printer will sense the label and automatically feed it through the printer. If the printer fails to feed the label supply, press the load / feed button to manually engage the feed roller while continuing to guide the labels into the printer.

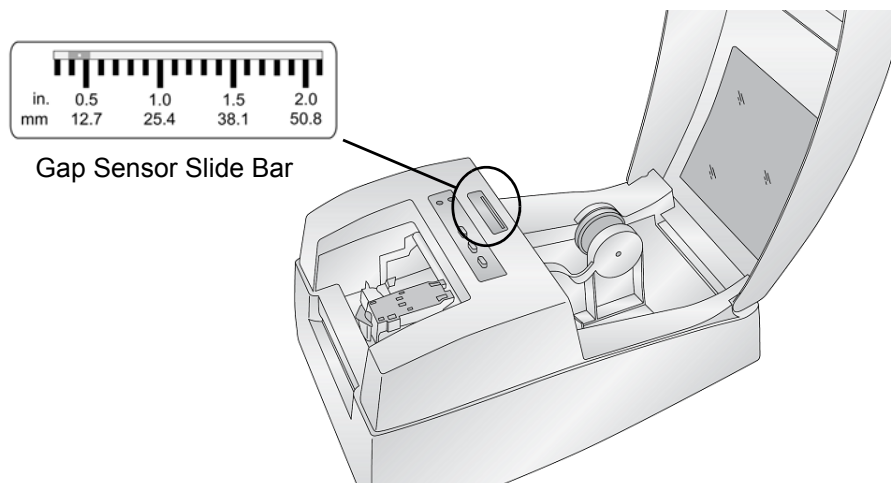
Note: To ensure that the labels are fed straight be sure to push the label supply into the printer quickly until the entire front edge of the label is touching the feed roller. For wider labels use both hands to feed to maintain even forward pressure while you are pushing the labels into the printer.

Adjusting the Supply Gap Sensor

The supply gap sensor "sees" the gap between label supply by shining light from the top of the label and attempting to read that light from a sensor on the bottom. By default, this sensor is set to read the gap 0.5" from the left side of the label supply. If the gap in your label supply intersects with the gap position, as shown on the slide bar, you do not need to adjust this and you can skip this section. This does not need to be adjusted for most label supply.



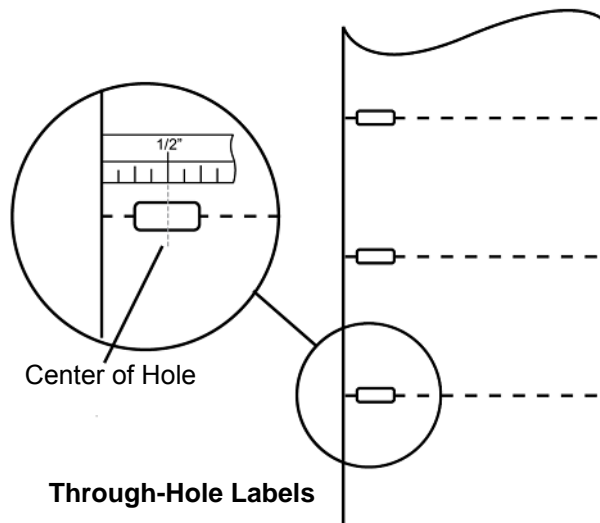
If you are using label supply other than standard square / rectangular die-cut labels such as through-hole supply, use the instructions below to adjust the supply gap sensor.



Through-Hole Labels

If you are using label supply that has a hole punch or a notch to identify a transition from backing to label, you can adjust the sensor bar to position it over the identifying mark. If the sensor is too far to the right or the left the printer will still sense the label but the image may be offset downward because the printer will start printing at the wrong position.

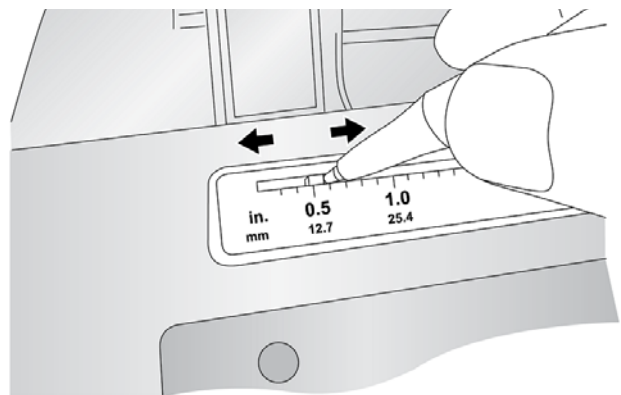
The sensor bar has a guide in inches and millimeters that will help you identify where to set the bar to align the sensor over any identifying mark. To do this, measure the distance from the edge of the label supply to the correct position on the supply. Set the gap sensor bar to this measurement.



To adjust the gap sensor position use a pen to move the slide bar to the correct position.

Ink Cartridge

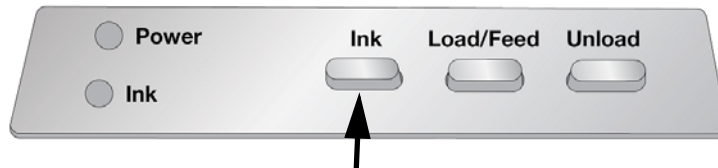
When the cartridge reaches 10% remaining you will be prompted via the Status Monitor to replace the cartridge. If quality still looks acceptable you can choose to ignore this warning. However, you may waste labels if the cartridge runs out of ink before the next warning at 0%. When you choose to replace the cartridge follow the procedure below.



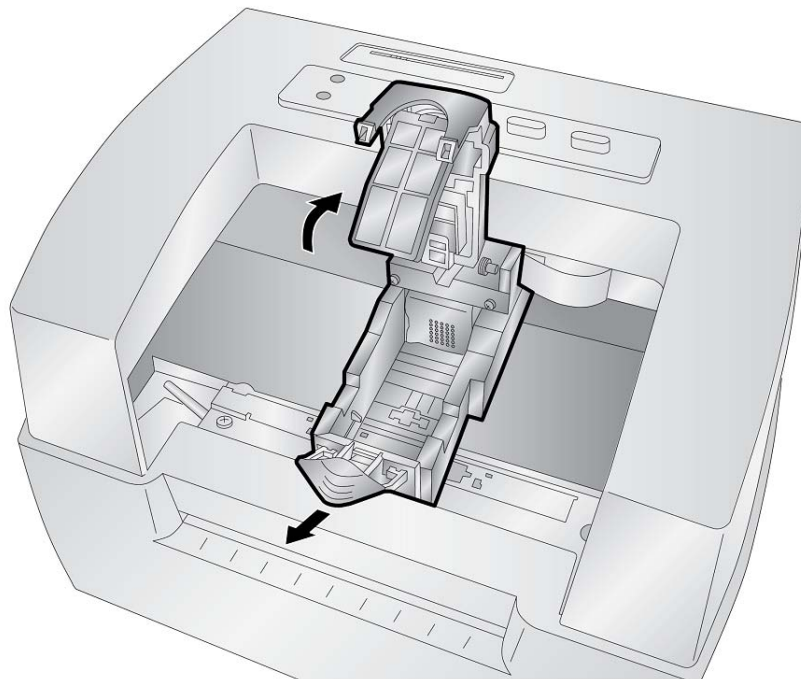
After installing a new cartridge, you may choose to run an alignment print to achieve maximum quality. However, this will require canceling the print job. If you would like to enable smooth transitions

between ink cartridge changes, you may choose to disable alignment print warnings (see [Aligning the Ink Cartridge](#) on page 12).

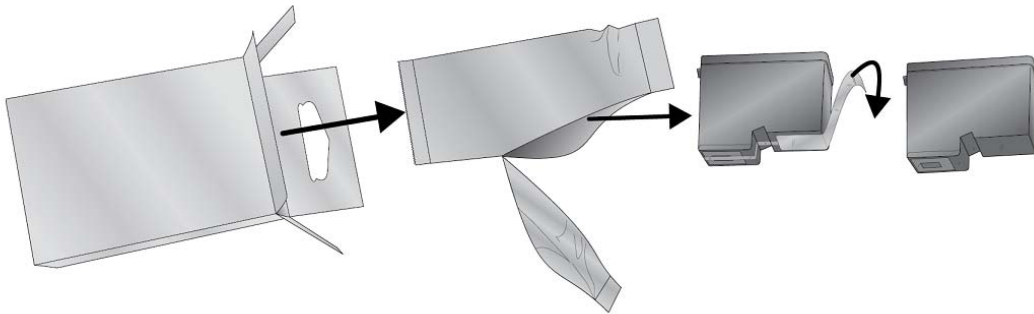
1. Open the top cover of the printer.
2. Press the **Ink button** on the printer.



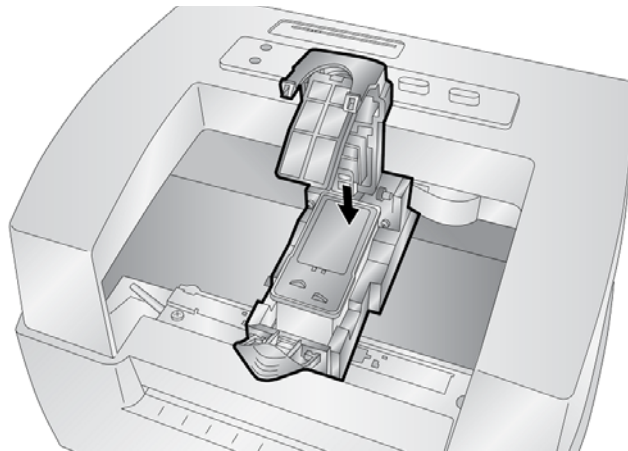
3. The cartridge carrier will align itself to the center of the print area.
4. Press the cartridge cover release to open the cartridge holder.



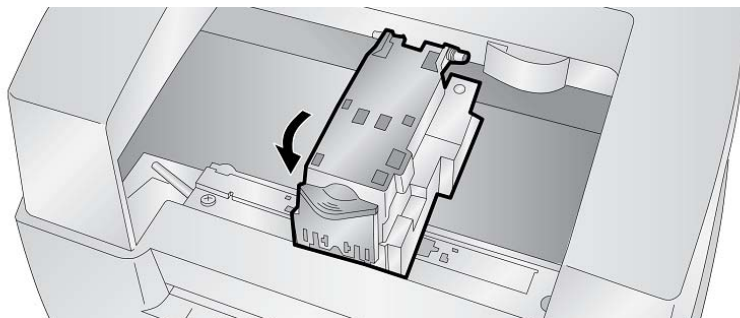
5. Remove the new cartridge from its packaging. Be sure to remove the protective tape covering the copper contacts.



6. Replace / install the cartridge copper end first.



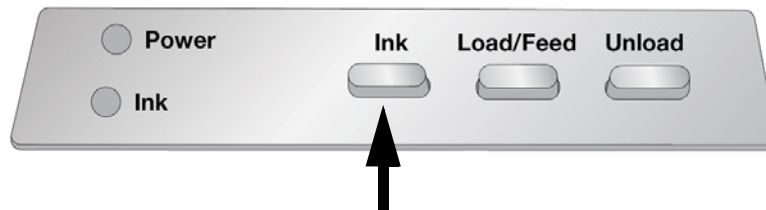
7. Push cartridge cover downward until it snaps in place.



Note: Ink cartridge levels are estimates.

8. Press the **Ink button** on the printer to indicate the new cartridge is now installed. You will be prompted to align the cartridge.

A warning will appear stating that you must have installed label supply that is equal to or larger than 4" x 2" (101.6 mm x 50.8 mm). If your label supply meets this requirement click OK to align the cartridge. If your supply does not meet this size requirement see [Aligning the Ink Cartridge](#) on page 12 before clicking OK.



Aligning the Ink Cartridge

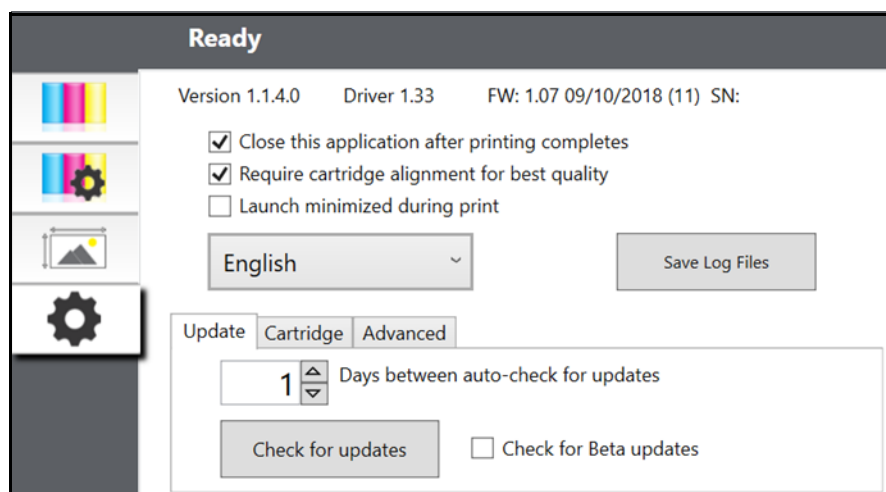
Cartridge alignment will align the color cartridge for bidirectional printing and calibrate the printer to each individual cartridge. You will automatically be prompted to perform this alignment each time you install a new cartridge. You may also manually align the cartridge via the Status Monitor.

For alignment you will need to have installed label supply that is equal to or larger than 4" x 2" (101.6 mm x 50.8 mm). If your supply does not meet this requirement you can use the sample roll that came with the printer for this purpose. You may also choose to disable alignment via the settings area of the status monitor.

Disable Alignment: If you would like to enable smooth transitions between ink cartridge changes, you may choose to disable alignment print warnings. Alignment improves print quality if bidirectional printing is enabled. It is not necessary if bidirectional printing is disabled via the printer driver.

You can disable alignment via the Status Monitor.

1. Open the *Status Monitor*.
2. Select the **settings** tab (fourth tab).
3. **Uncheck** "Require cartridge alignment for best quality."



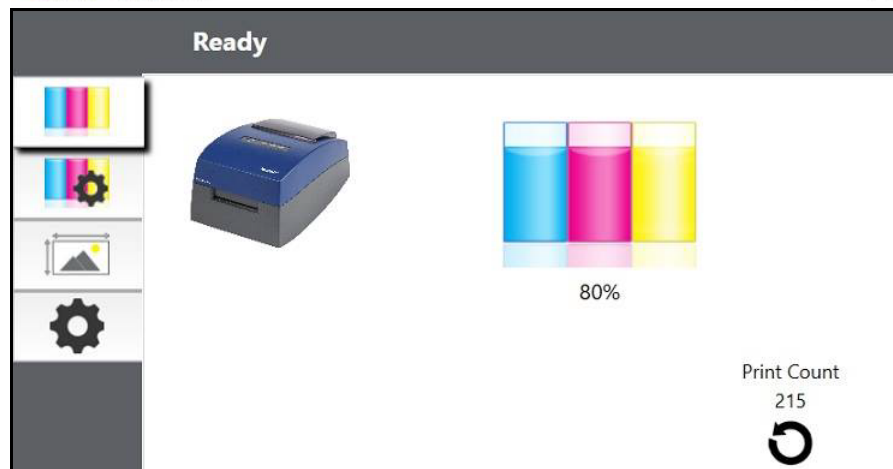
3 Using System Tools

Status Monitor

The Status Monitor is used to interact with the printer for gathering ink levels, maintenance, alignment, and several other functions.

It automatically installs with your printer driver and can be accessed through the printer driver preferences or as a program on your Windows start menu.

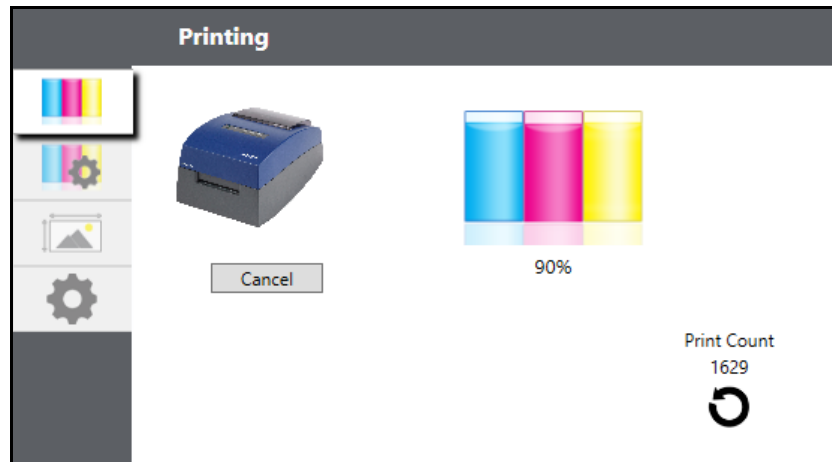
1. Connect the printer to the computer via USB and turn on the power.
The Status Monitor accesses most of the information it uses from the printer itself so the printer must be turned on and communicating for the program to open.
2. Go to **Start >Programs >Brady > Brady Status J2000**.
The Status Monitor consists of four tabs that are arranged on the left side of the window. Each tab opens a screen that has various similar functions. The tabs will only be displayed if the printer is idle (not printing).



- Ink Tab (First Tab): Displays ink levels and a print counter.
- Cartridge Settings Tab (Second Tab): Aligns print head, cleans print head and changes the cartridges.
- Alignment Tab (Third Tab): Adjusts vertical and horizontal print alignment, changes the supply sensor mode and toggles the output/cut mode.
- Settings Tab (Fourth Tab): Adjusts language settings, automatic updates, print alignment settings, displays version numbers and generates log files.

Monitoring Ink Levels

Ink levels can be monitored at any time by using the Ink Tab (first tab) found in the Status Monitor. Immediately after printing starts the Status Monitor will open and display the ink levels.



The print status will also be displayed on the top bar. If a print job is currently printing you may click the cancel button on this screen to stop it.

Note: Ink cartridge levels are estimates.

Output or Cut Mode

Use the output / cut mode to adjust how the printer presents labels after they are printed or if / when they are cut after printing. To make adjustments, open the Status Monitor.

1. Connect the printer to the computer via USB and turn on the power.
The output / cut mode setting is stored on the printer main board so you will not be able to access it unless the printer is turned on and properly communicating with the computer.
2. Go to **Start >Programs >Brady>J2000 Status Monitor**.
3. Click on the **Alignment Tab** (third tab from top).
4. Click on the **output / cut mode button**.

Cutter Options

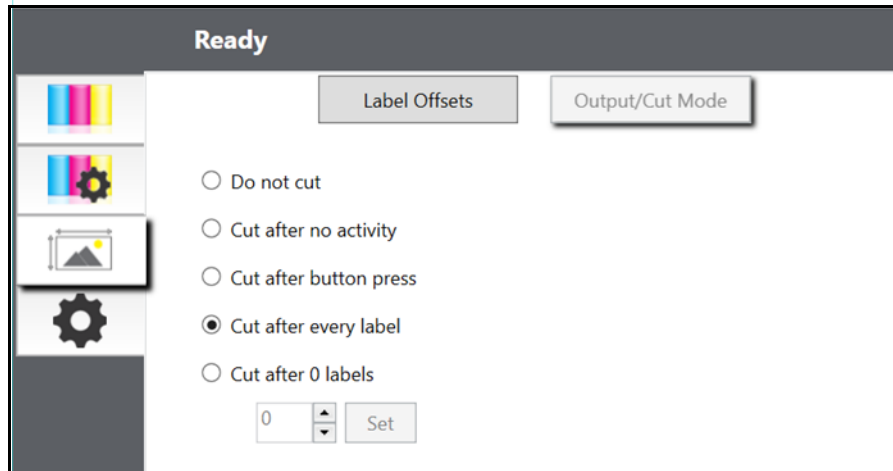
Do not cut The label stays at the same position after printing.

Cut after no activity This setting will cut at the end of a print job if the printer does not receive another print job within one second of the last print job in the queue. You can use this feature to cut at the end of a multi-copy job, multi-page job or multiple individual jobs in the queue.

Cut after button press This setting will cut after you press the load / feed button on the printer. This can be used after one label or an entire job. This feature is useful if you will not be present at the end of the print to catch the cut label.

Cut every label This setting will cut after every label.

Cut after specified number of labels This option will cut after the number of labels specified in the "Cut After Labels" setting above. Change the value and then click "Set" to send it to the printer.



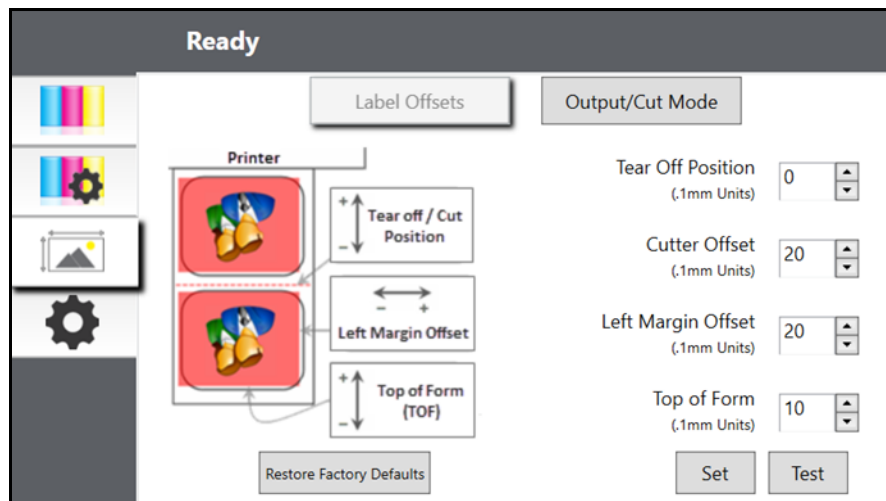
Adjusting Label Offsets

The Alignment Tab (third tab) on the Status Monitor allows you to adjust the vertical and horizontal printing position of the label. If you see white on your label edges use this section to adjust the printing position.

If your previous experience with printing is limited to printing letters and cards on 8.5 inch by 11 inch paper you probably are not familiar with an essential part of a label printing - Print Offsets or Alignment. Standard printers feed a sheet and start printing based on the start of the sheet. They also prohibit printing to the edge of the sheet. This is to avoid any need for adjusting offsets. The BradyJet J2000 Color Label Printer, however, senses the beginning of the label with an optical sensor and is capable of printing to top, bottom, left and right edge. Because of this it is necessary to align the printer to work with specific types of label supply.

The BradyJet J2000 Color Label Printer comes factory calibrated to print exactly to the edge of Brady label supply. The printer decides where to start printing by detecting the start of a die-cut label or detecting a through-hole that corresponds to the start of the label. However, due to variations in the left margins and other variables it may be necessary to fine tune these settings at the beginning of each roll.

IMPORTANT! Before adjusting alignment settings, first print one label at the quality level you intend for the entire job. This will ensure the label supply is moving at the same speed and the supply sensor will sense the gap in the same way.



Three items can be adjusted here:

Tear off Position This value adjusts the position of the last label printed after it has been presented for tear off. This only applies if the output mode is set to "Present the label."

- Add to the current value to move the tear point closer to the printer.
- Subtract from the current value to move the tear point away from the printer.

After adjusting the value click the "set" button to send the value to the printer.

Left Margin Offset This value moves the printed label left or right.

- Add to the current value to move the printed label to the right.
- Subtract from the current value to move the printed label to the left.

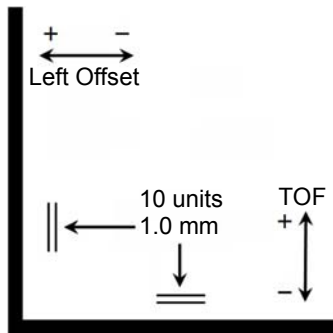
After adjusting the value, click the “set” button to send the value to the printer.

IMPORTANT! Before adjusting this value make sure the label supply is properly loaded so that there is no gap between the edge of the liner and the fixed throat guide. Any gap at this point will greatly affect the left margin offset value needed to align the label. Also, if you adjust the value with improperly loaded label supply you will have to adjust it again if you load the label supply correctly the next time.

Top of Form (TOF) This value moves the print start position up or down on the label. If fine tuning is needed, increase this setting to move the image down on the label or decrease to move the image up on the label. The unit of measure is 0.1mm.

- Add to the current value to move the printed label down or toward the printer.
- Subtract from the current value to move the printed label up or away from the printer.

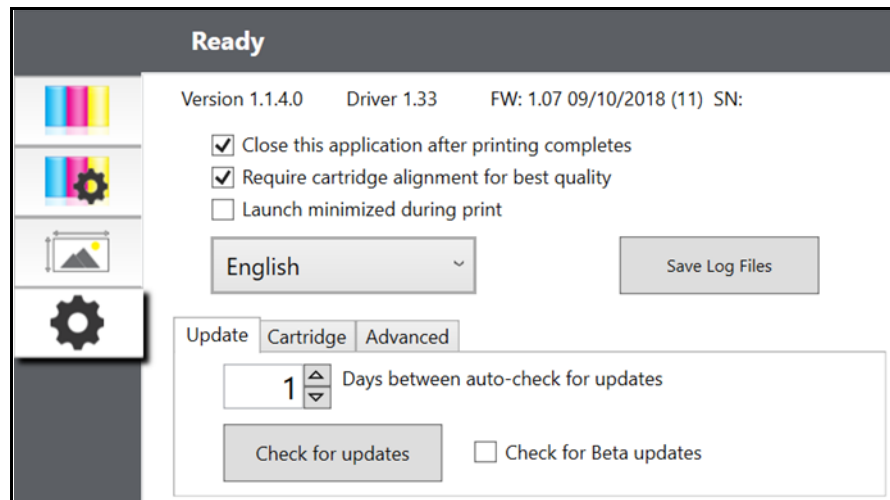
After adjusting the value click the “set” button to send the value to the printer.



You may have to make several adjustments to one or more of these values. After each adjustment you can click the test button to print a small test pattern on the label. This will help you find the proper alignment value.

Settings

The Settings Tab (fourth tab) allows you to adjust various advanced settings.



Software Versions for the Status Monitor, printer driver and printer firmware are displayed at the top of this tab.

Cartridge Alignment Check the "Require cartridge alignment" option to maintain the highest possible print quality when printing in bidirectional mode. It is not necessary to align cartridges if bidirectional printing is disabled via the printer driver preferences (see ["Printer Driver Settings" on page 20](#)). If you would like to enable smooth transitions between ink cartridge changes, you may choose to uncheck this setting. If the setting is checked, you will be required to cancel the print job and run an alignment print every time you change a cartridge.

Language. Choose the display language of the J2000 Status Monitor by using the drop-down menu on this tab.

Log Files. Click Save Log files to save a zip file with all relevant log files to your desktop. Tech Support may request this information during troubleshooting.

Software Updates. The Status Monitor is set by default to automatically check for updates once per day. This interval can be changed. If it finds an update it will prompt you to apply the update. The update may be for the driver, Status Monitor or printer firmware.

Installing Firmware Upgrades



CAUTION! Do not interrupt printer power during an upgrade.

1. On a computer, go to www.bradyid.com.
 2. Point to **Help** and then, under the *Downloads* heading, click **Firmware**.
 3. Find the most recent BradyJet 2000 firmware upgrade in the list and click it. You can sort the list alphabetically to make it easier to find the printer model.
 4. Click **Begin Download**.
 5. Save the downloaded file to a USB flash drive.
 6. Connect the USB flash drive to any available USB port on the printer. The printer recognizes the upgrade file and displays a message on the touch screen.
- Follow the instructions on the touch screen. When the upgrade is complete, the printer restarts.

4 Printing Labels

Brady Workstation

The BradyJet J2000 Color Label Printer is compatible with Brady® Workstation desktop software. When used with Brady Workstation software, the printer will automatically recognize all enabled and compatible materials up to 4 in. (101.6 mm) wide. For operation of the printer with other software, refer to the documentation for your application.

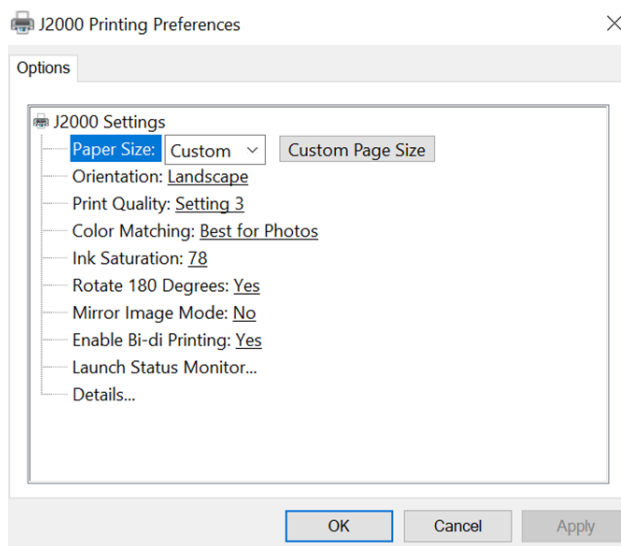
Printer Driver Settings

Settings changed via the method below will apply to all new designs created in Brady Workstation or other programs after the preferences are changed. Existing labels saved in Brady Workstation will not be affected since the preferences are saved with the label. To change these preferences you will have to change printer preferences through Brady Workstation before printing by clicking the "Document Properties" button.

To find Driver Settings:

1. Click the **Start** button,
2. Choose **Printers and Faxes**.
3. Right-click on the **Printers and Scanners Icon** and select **Printing Preferences** from the drop-down menu.

The preferences screen will display.



Note: Most applications allow you to change these same printer driver options from their "Print" screens. Some applications such as Brady Workstation save your settings with the label, others use settings only for the current print job just sent to the printer.

Page Size

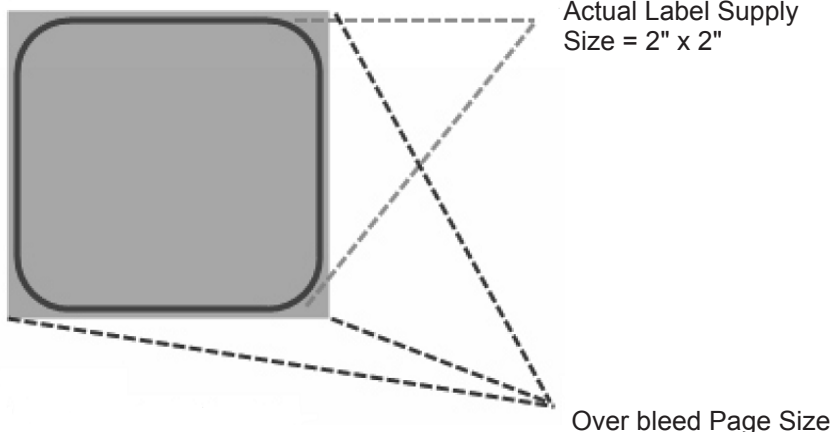
If you are using Brady Workstation, this setting is adjusted during the label setup wizard. If you are using a different program you will need to set this to the dimensions of your label. Keep in mind that the dimensions are always relative to the width and height of the actual label in the printer. Orientation of an image on the label should not change this setting. See "[Label Specifications](#)" on page 28 for minimum and maximum label sizes.

Creating a Full Bleed Print

If you are having trouble making the image cover the entire label, first make sure the image is printing at least as big as the label size you have selected. To accomplish this using Brady Workstation, make the image a few millimeters larger than the label by dragging the image over the edge of the label on all sides. The bounding box around the image will turn red when it is over the edge of the label. Try printing again to see if it covers the entire label. If there is still an issue, adjust these settings in the printer driver preferences:

- **Page Size** Increase the page size width in the driver preferences by .05 inches. Increase the height by .05 inches. If you are using Brady Workstation, simply change the size under the File Menu - Label Setup. Increase the size of the image to fit the new larger page size. If you are using other graphics programs you will need to change the page size in the application and in the printer driver preferences.
- **Left Margin Offset** Decrease the left margin offset by half the increase of the page size width. In this case you would decrease the value by 6 (which corresponds to .025 inches). This will center the page size increase so there is a .025 inch over bleed on both left and right sides.
- **Top of Form** Increase the TOF by 6. This will cause the printer to start printing before the label and ensure a fully printed label.

Decrease TOF

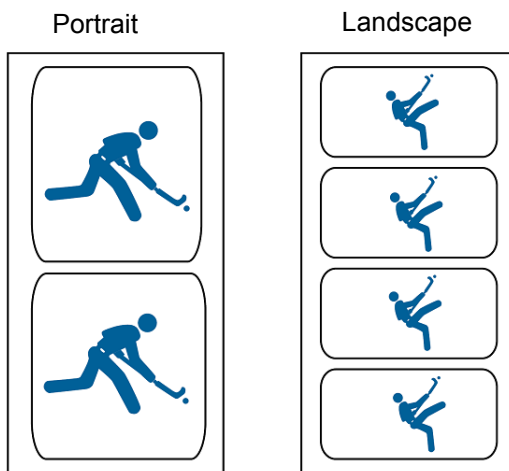


Increase Left Margin Offset

Note: It is best to over bleed as little as possible to avoid excess ink on the label backing. Also, over bleeding too much will cause the printer to skip labels, because the printer stops printing too late to sense the next label.

Orientation

There are two settings for orientation - portrait and landscape. If your text and graphics print left to right or as shown on the screen, select portrait. If you wish your printing to rotate 90 degrees from what you see on the screen, so it is printing horizontally, select landscape as your orientation. Remember, this does not change the width and height in the paper size setting. It is only a tool for viewing a label upright on screen that will be printed sideways on the printer.



Print Resolution

There are four print resolution settings in the driver. The lower the setting, the faster the print. Setting 1 provides the fastest print available while setting 4 provides the highest resolution and print quality at a slower speed. The default setting is setting 3 which provides the best balance between print speed, resolution and quality. You can experiment with different settings when designing a label for a particular application.

Color Matching

Best for Graphics mode is best used for graphical images where accurate color reproduction is not as essential. Images printed in this mode will look more vibrant because more ink is being used to produce them. However, printing images of people may produce skin tones that have a reddish tint.

Note: Exact color matching of the printed labels to the screen may never be possible since there are factors that affect this out of the drivers control. The surface of the label reacts with the ink in the cartridge to produce the color. For this reason, when printing the same image to different types of labels with different surfaces the printed output can look entirely different.

Ink Saturation

This option controls the amount of ink used when printing an image. The default setting is 78%, which will provide the most accurate color matching. If the ink is not drying fast enough or is bleeding, you can decrease the ink saturation to lessen the amount of ink that is applied to the label.

Enable Bidi (Bidirectional) Printing

Set to "Yes" for fastest print speed. Requires an alignment print after every cartridge change. Set to "No" for better quality print.

Launch Status Monitor

On your computer go to **Start >Programs >Brady >J2000 Status Monitor**.

Details/Print Counter

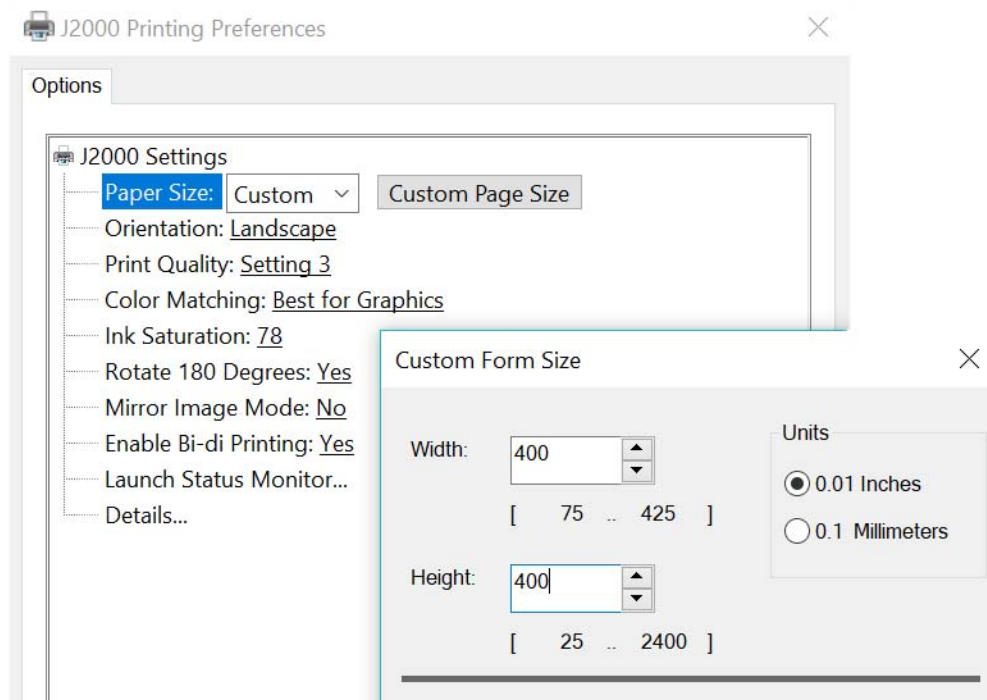
Clicking on the details button will allow you to view information about printer settings stored on the printer. There is also a print counter in the details window to help you count the number of labels printed since the last time it was reset.

Use Reset Counter to set the counter to zero.

Printing from Other Programs

Since this printer uses a standard Windows printer driver you can print from any application you would like. There are just a few things to remember that will make it much easier.

1. **Set the Page/Label Size in the Driver.** Brady Workstation fills in the size of the label that you are using. When printing from any other program you must do this manually. Before you print, simply set the Paper Size just as you would set print quality in the printing preferences. In the example below the label size is 4" x 4" so the custom page size is set to 400 x 400 (displayed in 0.01 inch units).



2. **Check the image or document size.** The image size or document size should correspond to the Page/Label Size set in the driver. If you have set your page size in the driver to 4" x 4" but your image is actually 5" x 3" the printer driver will automatically shrink your image to fit inside the 4" x 4" label. The result is that the actual printed label is 4" x 2.4". Avoid this by setting your page size in the driver and image size in the printing application to match the label size installed in the printer.

5 Maintenance

Before performing any maintenance procedure that involves opening the top cover, you should remove the power and supplies from the printer.

Cleaning the Printer

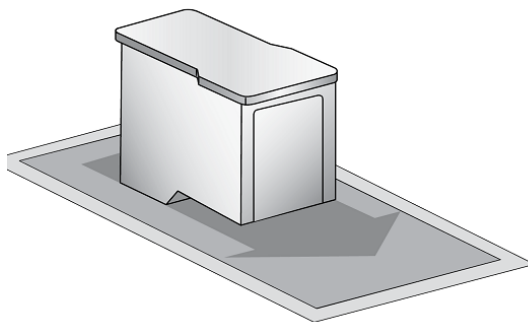
The case of the printer can be cleaned with an ammonia based window cleaner and a lint-free cloth.

Over time, ink overspray may gather at the base of the printer. The printer is designed using a vacuum system to gather most of this ink on a series of saturation pads. Eventually, these pads may need to be replaced. Contact tech support to determine if pad replacement is necessary.

Cleaning the Ink Cartridge

It may be necessary to clean the ink cartridge nozzles if you notice reduced print quality, or if you suspect a cartridge nozzle has become slightly dried out or clogged. If you are having print quality problems, follow the steps below:

1. Remove the print cartridge.
2. Moisten a lint-free cloth with water.
3. Hold the cloth against the nozzles for three seconds.
This will “wick” some additional ink onto the damp cloth.
4. Wipe in one direction.
5. Repeat the process.

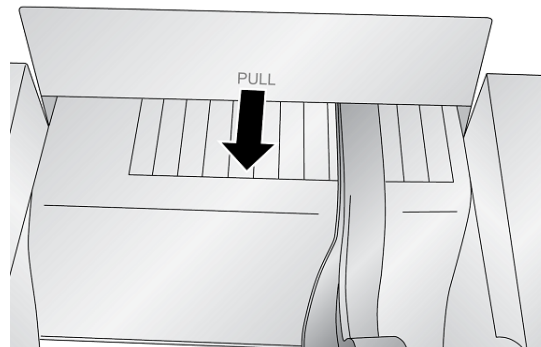


Clearing a Label Jam

If there is a label jam in the printer mechanism first attempt to remove the jam by opening the cover and removing the jam from the printer feed output area.

If the jam can not be located, it is possible to remove a cover over the feed input area. Pull on the center of the cover as shown below to release the tabs on the sides.

To prevent future jams, use rubbing alcohol to remove any adhesive left in the printer feed area.

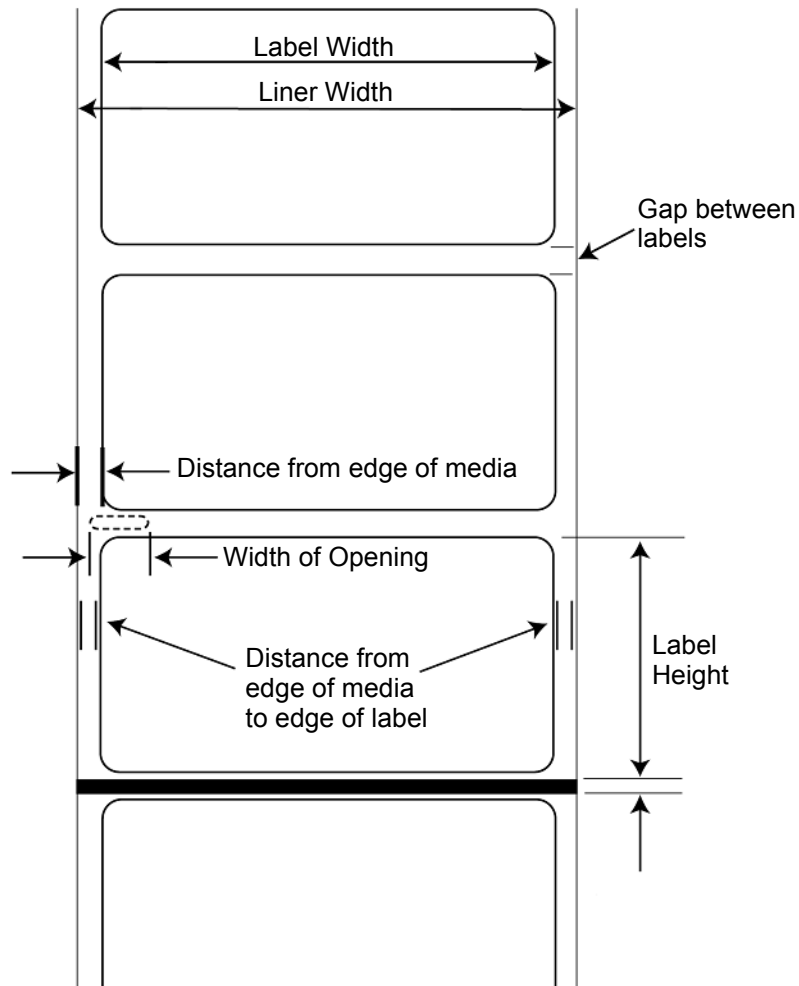


6 Troubleshooting

Problem	Cause	Corrective Action
Unwanted white space at top or bottom of label.	Printing is vertically offset.	Refer to “Adjusting Label Offsets” on page 16.
Gap distance is off.	Non-standard label shape installed.	See “Adjusting the Supply Gap Sensor” on page 8.
Printing starts at wrong point on label or skips a label.	Wrong page size set.	Refer to “Page Size” on page 21.
Printing over the gap on to next label.	Portrait / landscape setting is incorrect.	Refer to “Orientation” on page 22.
Printing is off on labels that are non-standard.	The supply gap sensor needs adjustment.	Refer to “Through-Hole Labels” on page 9.
Unwanted white space at left or right side of label.	Printing is horizontally offset.	Adjust the left margin offset by increasing the number of extra white space is on the left side of the label or decreasing the number on the right side. Refer to “Adjusting Label Offsets” on page 16.
Unwanted white space on the right side of the label.	Page size is not large enough for the label.	Refer to “Page Size” on page 21.
Image does not cover entire label.	Image is smaller than size of label.	Enlarge image to fill size of label.
	Page size is wrong.	Increase the page size width and height each by .05 inches. Refer to “Page Size” on page 21.
	Left margin offset is wrong.	Decrease the left margin offset by a value of 6 (or .025 inches). Refer to “Adjusting Label Offsets” on page 16.
	Top of Form (TOF) setting is off.	Increase the TOF by 6. Refer to “Adjusting Label Offsets” on page 16.
Labels are skipped during printing.	Excess ink on label backing.	Stop printing. Advance and remove two or three blank labels and print again.
Labels will not exit the printer.	Labels could be jammed inside.	Clear the label jam. Refer to “Clearing a Label Jam” on page 26.

7 Label Specifications

IMPORTANT! Test all custom made label supply with the intended printer before ordering large quantities! Brady will only assume responsibility for custom label supply ordered from Brady.



Label Sensing Methods

- a. Label gap sensing
- b. Width of through-hole opening sensor

	Max	Min
Label/Print width	4.25" (108 mm)	0.75" (19 mm)
Liner width	4.25" (108 mm)	1" (25.4 mm)
Label height / length	24" (609.6 mm)	0.25" (6.4 mm)
Gap between labels	0.75" (19 mm)	0.10" (2.5 mm)
Width of through-hole opening	0.5" (12.7 mm)	0.375" (9.5 mm)
Distance from edge of media to edge of through-hole	1.90" (48.3 mm)	0.20" (5.1 mm)
Max outer diameter (OD)	5.0" (127 mm)	N/A
Inner core diameter	see roll specifications below	
Supply thickness*	.0010" (10 mil)	N/A
Distance from edge of media to edge of label	Printer driver assumes 2 mm gap. However, this is adjustable via the left margin offset.	

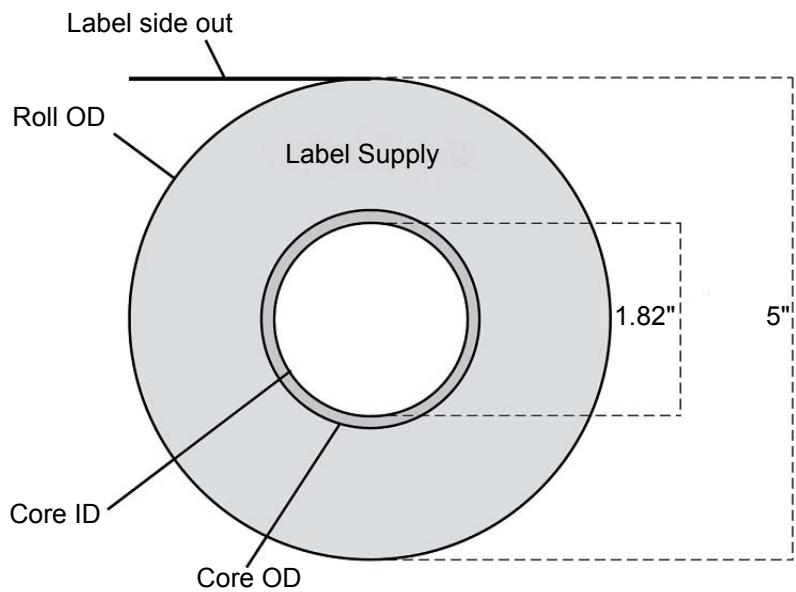
*This is the recommended maximum. There are two factors that determine whether the printer will accept any particular supply thickness.

1. The ability for the printer to pull the paper through the print area.
2. The ability for the sensor to read through the backing if the sensor is set to die-cut.

If you are printing in continuous label sensing mode number 2 does not apply. The fact that the printer must read through the backing in die-cut mode will limit the thickness much more than the printer's ability to pull the paper through the print area. However, if you adjust opacity level of the liner enough to allow the label to be seen by the supply sensor, the thickness will only be limited by the printer's ability to pull it through the printer area. For these reasons the weight or thickness of the liner is a variable that can not easily be defined.

Brady recommends and uses 40# liner with all label supply.

Roll Specifications



Appendix: Regulatory Compliance

Agency Compliance and Approvals

United States

FCC Notice

Note: This equipment has been tested and found to comply with the limits for a Class A digital device, pursuant to part 15 of the FCC Rules. These limits are designed to provide reasonable protection against harmful interference when the equipment is operated in a commercial environment. This equipment generates, uses, and can radiate radio frequency energy and, if not installed and used in accordance with the instruction manual, may cause harmful interference to radio communications.

Operation of this equipment in a residential area is likely to cause harmful interference in which case the user will be required to correct the interference at his own expense.

Changes or modifications not expressly approved by the party responsible for compliance could void the user's authority to operate the equipment.

This device complies with Part 15 of the FCC Rules. Operation is subject to the following two conditions: (1) This device may not cause harmful interference and, (2) this device must accept any interference received, including interference that may cause undesired operation.

Estados Unidos

Aviso de la FCC

Nota: Este equipo se puso a prueba y se confirmó que cumple con los límites para un dispositivo digital de Clase A, conforme a la Parte 15 de las Regulaciones de la Comisión Federal de Comunicaciones (Federal Communications Commission, FCC). Estos límites se han diseñado para proporcionar protección razonable contra interferencias perjudiciales cuando el equipo se utilice en un entorno comercial. Este equipo genera, utiliza y puede emitir energía de radiofrecuencia y, si no se instala y se utiliza según el manual de instrucciones, puede ocasionar interferencias perjudiciales en las radiocomunicaciones.

El uso de este equipo en un área residencial puede causar interferencias perjudiciales, en cuyo caso el usuario tendrá que corregir dichas interferencias por su cuenta.

Los cambios o las modificaciones que no hayan sido aprobados expresamente por la parte responsable del cumplimiento pueden invalidar la autorización que se le otorga al usuario para utilizar el equipo.

Este dispositivo cumple con la Parte 15 de las Regulaciones de la FCC. El uso está sujeto a las siguientes dos condiciones: (1) es posible que este dispositivo no provoque interferencias perjudiciales y (2) este dispositivo debe aceptar cualquier interferencia recibida, incluso aquella que pueda generar un uso no deseado.

Canada

Innovation, Science and Economic Development (ISED)

Canada ICES-003:

CAN ICES-3 (A)/NMB-3(A)

Mexico

IFETEL notice: La operación de este equipo está sujeta a las siguientes dos condiciones: (1) es posible que este equipo o dispositivo no cause interferencia perjudicial y (2) este equipo o dispositivo debe aceptar cualquier interferencia, incluyendo la que pueda causar su operación no deseada.

Europe



WARNING! This is a Class A product. In a domestic environment, this product may cause radio interference in which case the user may be required to take adequate measures.



Waste Electrical and Electronic Equipment Directive

In accordance with the European WEEE Directive, this device needs to be recycled in accordance with local regulations.

RoHS Directive 2011/65/EU, 2015/863/EU

This product is CE marked and complies with the European Union's Directive 2011/65/EU OF THE EUROPEAN PARLIAMENT AND OF THE COUNCIL of 8 June 2011 on the restriction of the use of certain hazardous substances in electrical and electronic equipment.

EU Directive 2015/863 of 31 March 2015 amends Annex II to Directive 2011/65/EU of the European Parliament and of the Council as regards the list of restricted substances.

Turkey

Turkish Ministry of Environment and Forestry

(Directive on the Restriction of the use of certain hazardous substances in electrical and electronic equipment).

Türkiye Cumhuriyeti: EEE Yönetmeliğine Uygundur

Wireless Regulatory Information

Regulatory markings, subject to country certification, are applied to host printer signifying wireless approvals have been obtained. For a complete list of approved countries, go to www.BradyID.com/J2000compliance



WARNING! Operation of the device without regulatory approval is illegal.

Radio protocol	ISO15693 compliant RFID reader/writer
RF Operating Frequency	13.56 MHz
RF Output Power	< +20dBm EIRP (100Mw) < +23dBm (200mW)
Antenna Type	PCB loop antenna, 2.5 μ H @ 13.56 mHz

United States

Note: This equipment has been tested and found to comply with the limits for a Class A digital device, pursuant to part 15 of the FCC Rules. These limits are designed to provide reasonable protection against harmful interference when the equipment is operated in a commercial environment. This equipment generates, uses, and can radiate radio frequency energy and, if not installed and used in accordance with the instruction manual, may cause harmful interference to radio communications.

Operation of this equipment in a residential area is likely to cause harmful interference in which case the user will be required to correct the interference at own expense.

Changes or modifications not expressly approved by the party responsible for compliance could void the user's authority to operate the equipment.

This device complies with Part 15 of the FCC Rules. Operation is subject to the following two conditions: (1) This device may not cause harmful interference and, (2) this device must accept any interference received, including interference that may cause undesired operation.

Información reglamentaria sobre conexiones inalámbricas

Las marcas reglamentarias, sujetas a la certificación de cada país, se aplican a la impresora host, lo que significa que se obtuvieron las aprobaciones (de radio) de wifi. Entre estos países, se encuentran Estados Unidos, Canadá, México, Australia, Nueva Zelanda, Sudáfrica, Corea del Sur y países de la Unión Europea.



¡ADVERTENCIA! El uso del dispositivo sin la aprobación de los organismos reguladores es ilegal.

Protocolo de radio	IEEE 802.11b/g/n para WLAN
Frecuencia de operación de RF	2,4 GHz-2,495 GHz
Potencia de salida de RF	Potencia isotrópica radiada equivalente < +20 dBm (100 mW)
Tipo de antena\Ganancia de antena	Antena de trazado en placa de circuito impreso \-3,06 dBi
Condiciones ambientales de uso	-40 °C a 85 °C (-40 °F a 185 °F) Nota: Recuerde consultar la guía del usuario de la impresora host de Brady para conocer las temperaturas máximas de uso
Condiciones ambientales de almacenamiento	-55 °C a 125 °C (-67 °F a 257 °F) Nota: Recuerde consultar la guía del usuario de la impresora host de Brady para conocer las temperaturas máximas de almacenamiento.

Estados Unidos

Nota: Este equipo se puso a prueba y se confirmó que cumple con los límites para un dispositivo digital de Clase A, conforme a la Parte 15 de las Regulaciones de la FCC. Estos límites se han diseñado para proporcionar protección razonable contra interferencias perjudiciales cuando el equipo se utilice en un entorno comercial. Este equipo genera, utiliza y puede emitir energía de radiofrecuencia y, si no se instala y se utiliza según el manual de instrucciones, puede ocasionar interferencias perjudiciales en las radiocomunicaciones.

El uso de este equipo en un área residencial puede causar interferencias perjudiciales, en cuyo caso el usuario tendrá que corregir dichas interferencias por su cuenta.

Los cambios o las modificaciones que no hayan sido aprobados expresamente por la parte responsable del cumplimiento pueden invalidar la autorización que se le otorga al usuario para utilizar el equipo.

Este dispositivo cumple con la Parte 15 de las Regulaciones de la FCC. El uso está sujeto a las siguientes dos condiciones: (1) es posible que este dispositivo no provoque interferencias perjudiciales y (2) este dispositivo debe aceptar cualquier interferencia recibida, incluso aquella que pueda generar un uso no deseado.

Declaraciones sobre la colocalización: A fin de cumplir con el requisito de cumplimiento de la FCC relativo a la exposición a RF, la antena que se utilice para este transmisor no debe ubicarse ni utilizarse junto con ningún otro transmisor o antena, a excepción de aquellos que ya se incluyen en el módulo de radio.

Pautas sobre la exposición a RF: La potencia de salida irradiada de este dispositivo está muy por debajo de los límites de exposición a radiofrecuencia. No obstante, para evitar que se superen los límites de exposición a radiofrecuencia en un entorno no controlado, se debe mantener una distancia mínima de 20 cm entre la antena (interna) en placa de circuito impreso del módulo de radio de wifi y la cabeza, el cuello o el cuerpo durante el uso normal.

Canada

Innovation, Science and Economic Development (ISED)

CAN ICES-3 (A)/NMB-3(A)

This device complies with Industry Canada's license-exempt RSSs. Operation is subject to the following two conditions:

1. This device may not cause interference; and
2. This device must accept any interference, including interference that may cause undesired operation of the device.

Mexico

IFETEL notice:

"La operación de este equipo está sujeta a las siguientes dos condiciones: (1) es posible que este equipo o dispositivo no cause interferencia perjudicial y (2) este equipo o dispositivo debe aceptar cualquier interferencia, incluyendo la que pueda causar su operación no deseada."

European Union

This is a Class A product. In a domestic environment, this product may cause radio interference in which case the user may be required to take adequate measures.

Radio Equipment Directive (RED) 2014/53/EC

- a. Frequency band(s) in which the radio equipment operates; 13.56 MHz
- b. Maximum radio-frequency power transmitted in the frequency band(s) in which the radio equipment operate; < +23dBm EIRP (200mW)

International

The RFID module used in Brady host printers comply with internationally recognized standards covering human exposure to electromagnetic fields, i.e. EN 62311 "Assessment of electronic and electrical equipment related to human exposure restrictions for electromagnetic fields (0 Hz - 300 GHz)".